



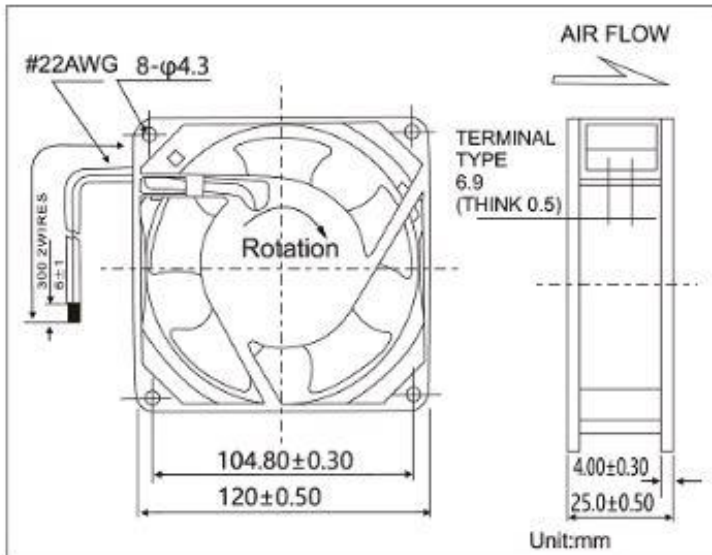
# Pigra Comercial Group S.A. de C.V.



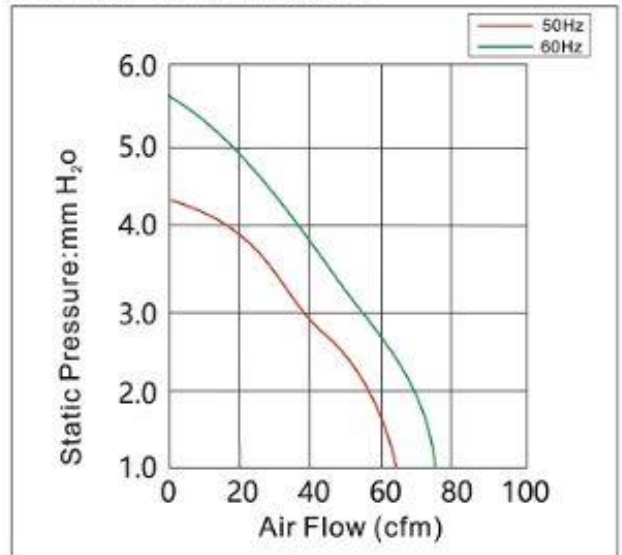
## FIG12025HA1 FIG12025HA2

### Features

- Size: 120×120×25mm(4.72×4.72×1.0in)
- Frame: Aluminum Painted&Plastic UL94V-0
- Impeller: Reinforced Plastic UL94V-0
- Bearings: Ball Bearing&Sleeve Bearing
- Life Expectancy: 50,000 Hours at 20°C-Ball  
30,000 Hours at 20°C-Sleeve
- Approvals: UL CUL CE 3C RoHS
- Weight: 330g



### Air Flow vs Air Pressure



### Performance

Model	Part Number	Bearing System	Rated Voltage (V)	Operating Frequency (Hz)	Current (A)	Input Power (W)	Nominal Speed (R.P.M)	Air Flow (CFM)	Air Pressure (mm-H <sub>2</sub> O)	Noise (dBA)
FIG 12025HA1	FSY12025HA1SL(T)	Sleeve or	110/120	50/60	0.12/0.14	18/17	2300/2800	61/75	4.85/5.70	35/38
	FSY12025HA1BL(T)	Ball								
FIG 12025HA2	FSY12025HA2SL(T)	Sleeve or	220/240	50/60	0.06/0.10	18/17	2300/2800	61/75	4.85/5.70	35/38
	FSY12025HA2BL(T)	Ball								