



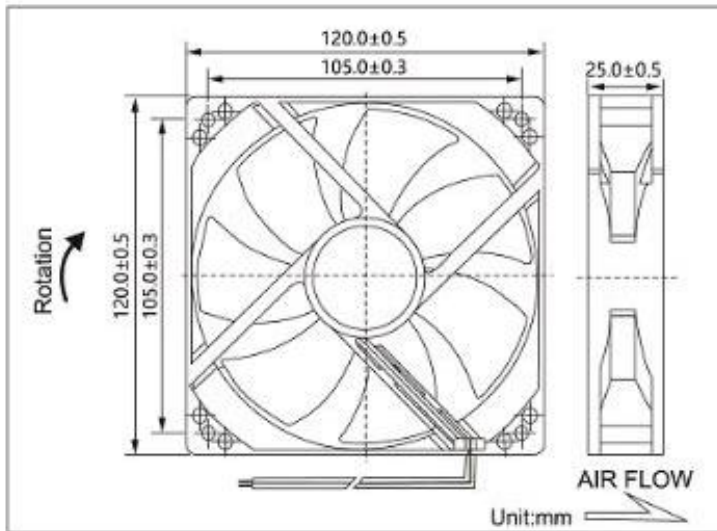
Pigra Comercial Group S.A. de C.V.



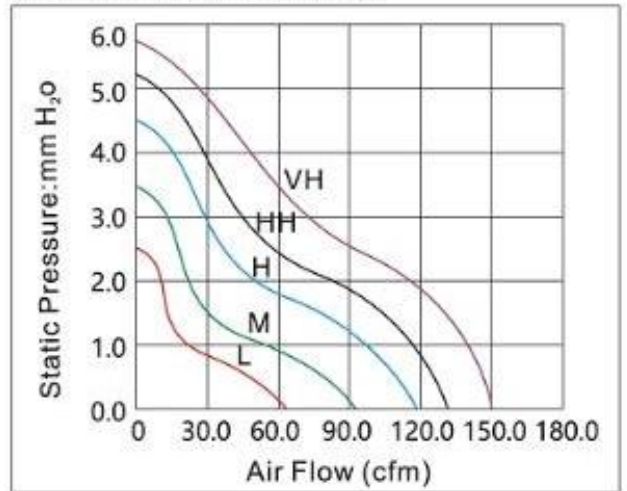
PIG 12025X12L(M)(H)
PIG 12025X24L(M)(H)
PIG 12025X48L(M)(H)

Features

Size: 120×120×25mm (4.72×4.72×1.00in)
 Frame/Impeller: Reinforced Plastic UL94V-0
 Bearings: Ball Bearing & Sleeve Bearing
 Life Expectancy: 50,000 Hours at 20°C-Ball
 30,000 Hours at 20°C-Sleeve
 Approvals: UL CUL TUV CE RoHS
 Weight: 145g



Air Flow vs Air Pressure



Performance

Model	Bearing System X			Rated Voltage (V)	Current (A)	Input Power (W)	Nominal Speed (R.P.M)	Air Flow (CFM)	Air Pressure (mm-H ₂ O)	Noise (dBA)
	S	B	D							
PIG12025X12L	✓	✓	✓	12	0.15	1.80	1800	68.45	2.68	32
PIG12025X12M	✓	✓	✓	12	0.25	3.00	2500	92.52	3.65	36
PIG 12025X12H	✓	✓	✓	12	0.35	4.20	3000	114.00	4.45	41
PIG 12025X12HH	✓	✓	✓	12	0.45	5.40	3500	133.05	5.21	45
PIG 12025X12VH	✓	✓	✓	12	0.55	6.60	4000	150.11	5.82	50
PIG 12025X24L	✓	✓	✓	24	0.10	2.40	1800	68.45	2.68	32
PIG 12025X24M	✓	✓	✓	24	0.18	4.32	2500	92.52	3.65	36
PIG 12025X24H	✓	✓	✓	24	0.25	6.00	3000	114.00	4.45	41
PIG 12025X24HH	✓	✓	✓	24	0.35	8.40	3500	133.05	5.21	45
PIG 12025X24VH	✓	✓	✓	24	0.45	10.80	4000	150.11	5.82	50
PIG 12025X48M	✓	✓	✓	48	0.10	4.80	2500	92.52	3.65	36
PIG 12025X48H	✓	✓	✓	48	0.15	7.20	3500	133.05	5.21	45