



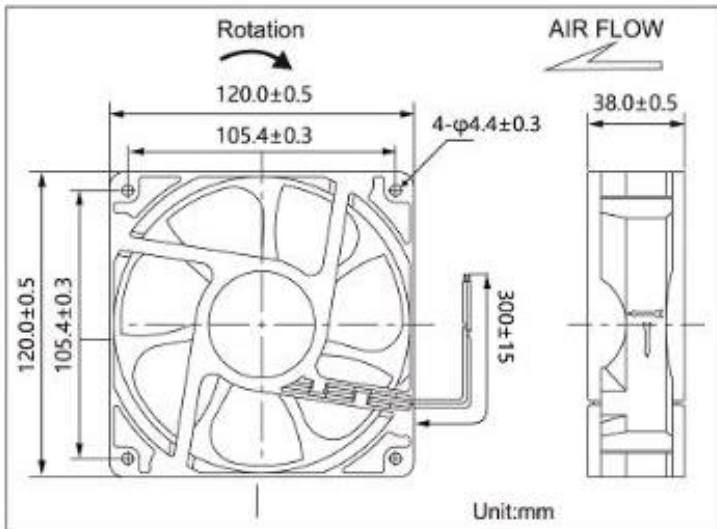
Pigra Comercial Group S.A. de C.V.



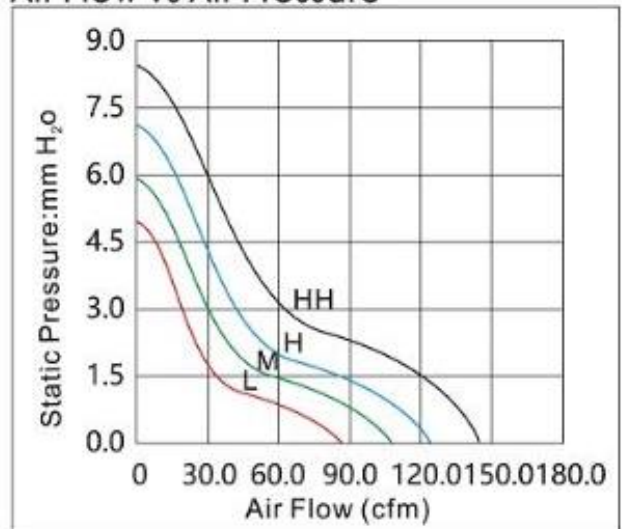
PIG12038X12L(M)(H)
PIG12038X24L(M)(H)
PIG12038X48L(M)(H)

Features

Size: 120×120×38mm (4.72×4.72×1.50in)
 Frame/Impeller: Reinforced Plastic UL94V-0
 Bearings: Ball Bearing & Sleeve Bearing
 Life Expectancy: 50,000 Hours at 20°C-Ball
 30,000 Hours at 20°C-Sleeve
 Approvals: UL CUL TUV CE RoHS
 Weight: 250g



Air Flow vs Air Pressure



Performance

Model	Bearing System			Rated Voltage (V)	Current (A)	Input Power (W)	Nominal Speed (R.P.M)	Air Flow (CFM)	Air Pressure (mm-H ₂ O)	Noise (dBA)
	S	B	D							
PIG12038X12L	✓	✓	✓	12	0.25	3.00	2000	85.56	4.83	37
PIG12038X12M	✓	✓	✓	12	0.35	4.20	2500	102.14	5.95	42
PIG12038X12H	✓	✓	✓	12	0.55	6.60	3000	125.06	7.15	47
PIG12038X12HH	✓	✓	✓	12	0.70	8.40	3500	148.66	8.21	52
PIG12038X24L	✓	✓	✓	24	0.20	4.80	2000	85.56	4.83	37
PIG12038X24M	✓	✓	✓	24	0.30	7.20	2500	102.14	5.95	42
PIG12038X24H	✓	✓	✓	24	0.40	9.60	3000	125.06	7.15	47
PIG12038X24HH	✓	✓	✓	24	0.50	12.00	3500	148.66	8.21	52
PIG12038X48M	✓	✓	✓	48	0.12	5.76	2500	102.14	5.95	42
PIG12038X48H	✓	✓	✓	48	0.20	9.60	3500	148.66	8.21	52