



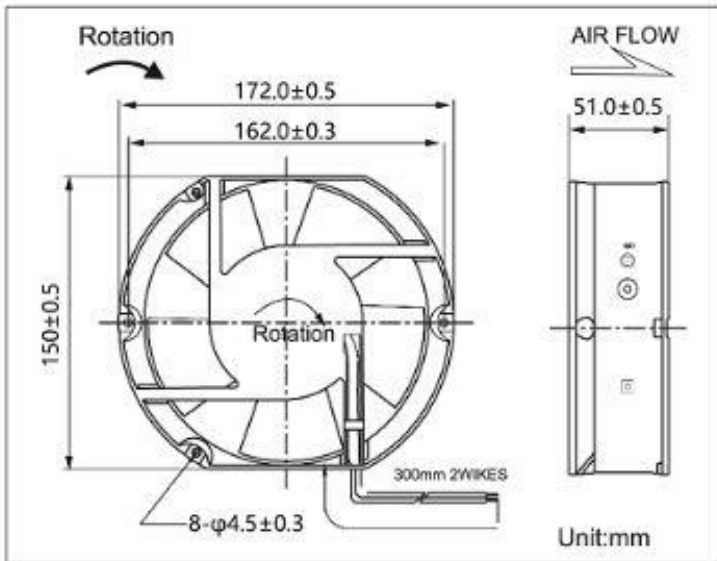
# Pigra Comercial Group S.A. de C.V.



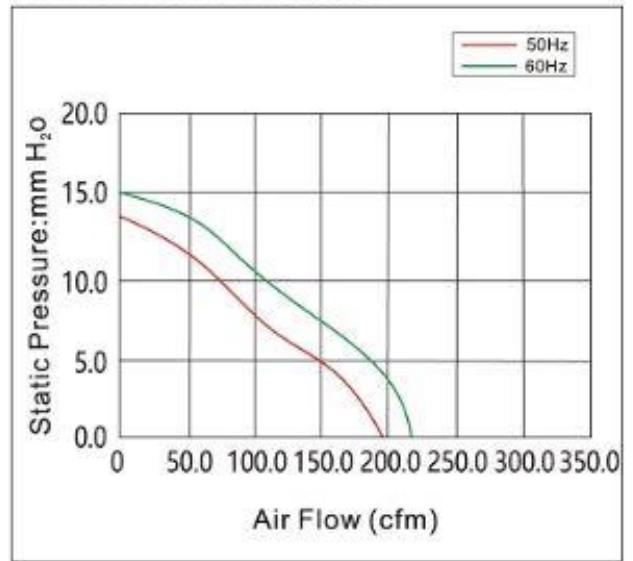
## PIG17251HA1 PIG17251HA2

### Features

- Size: 172×150×51mm(6.8×5.9×2.0in)
- Frame: Aluminum Painted&Plastic UL94V-0
- Impeller: Reinforced Plastic UL94V-0
- Bearings: Ball Bearing&Sleeve Bearing
- Life Expectancy: 50,000 Hours at 20°C-Ball  
30,000 Hours at 20°C-Sleeve
- Approvals: UL CUL CE 3C RoHS
- Weight: 910g



### Air Flow vs Air Pressure



### Performance

Model	Part Number	Bearing System	Rated Voltage (V)	Operating Frequency (Hz)	Current (A)	Input Power (W)	Nominal Speed (R.P.M)	Air Flow (CFM)	Air Pressure (mm-H <sub>2</sub> O)	Noise (dBA)
PIG17251HA1	FSY17251HA1BL(T)	Ball	110/120	50/60	0.50/0.45	40/35	2800/3000	195/210	14.0/15.0	50/52
PIG17251HA2	FSY17251HA2BL(T)	Ball	220/240	50/60	0.40/0.35	40/35	2800/3000	195/210	14.0/15.0	50/52