



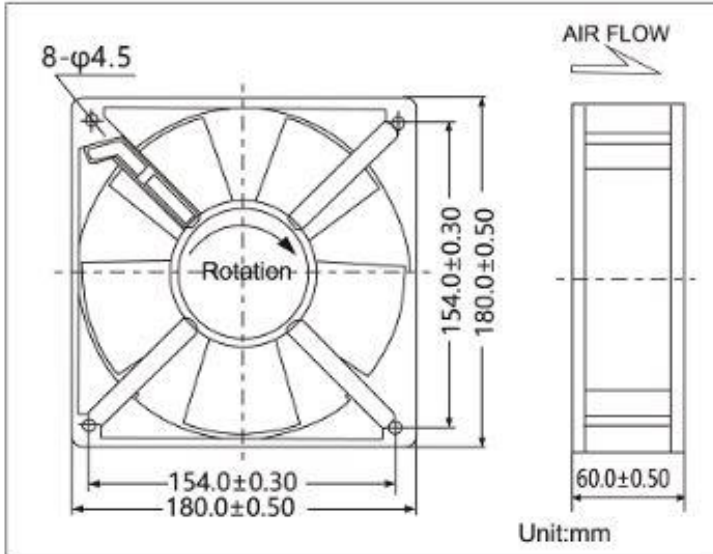
# Pigra Comercial Group S.A. de C.V.



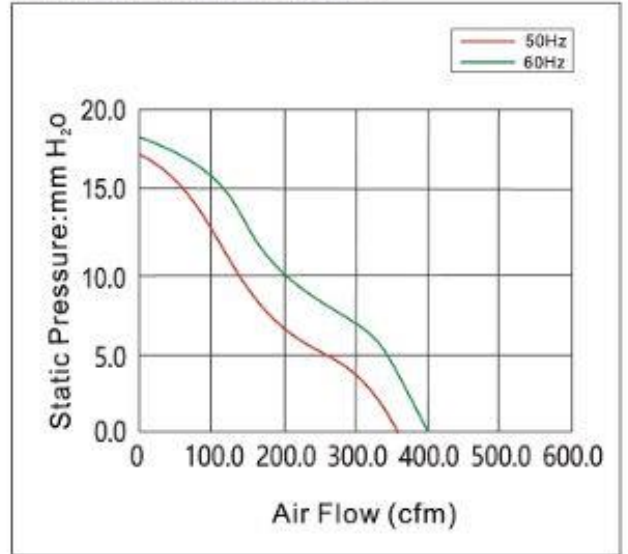
## PIG18060HA1 PIG18060HA2

### Features

- Size: 180×180×60mm(7.1×7.1×2.4in)
- Frame: Aluminum Painted&Plastic UL94V-0
- Impeller: Reinforced Plastic UL94V-0
- Bearings: Ball Bearing&Sleeve Bearing
- Life Expectancy: 50,000 Hours at 20°C-Ball  
30,000 Hours at 20°C-Sleeve
- Approvals: UL CUL CE 3C RoHS
- Weight:1000g



### Air Flow vs Air Pressure



### Performance

| Model       | Part Number      | Bearing System | Rated Voltage (V) | Operating Frequency (Hz) | Current (A) | Input Power (W) | Nominal Speed (R.P.M) | Air Flow (CFM) | Air Pressure (mm-H <sub>2</sub> O) | Noise (dBA) |
|-------------|------------------|----------------|-------------------|--------------------------|-------------|-----------------|-----------------------|----------------|------------------------------------|-------------|
| PIG18060HA1 | FSY18060HA1BL(T) | Ball           | 110/120           | 50/60                    | 0.45/0.40   | 35/32           | 2700/3000             | 350/400        | 16.8/18.0                          | 56/61       |
| PIG18060HA2 | FSY18060HA2BL(T) | Ball           | 220/240           | 50/60                    | 0.25/0.20   | 53/45           | 2700/3000             | 350/400        | 16.8/18.0                          | 56/61       |