



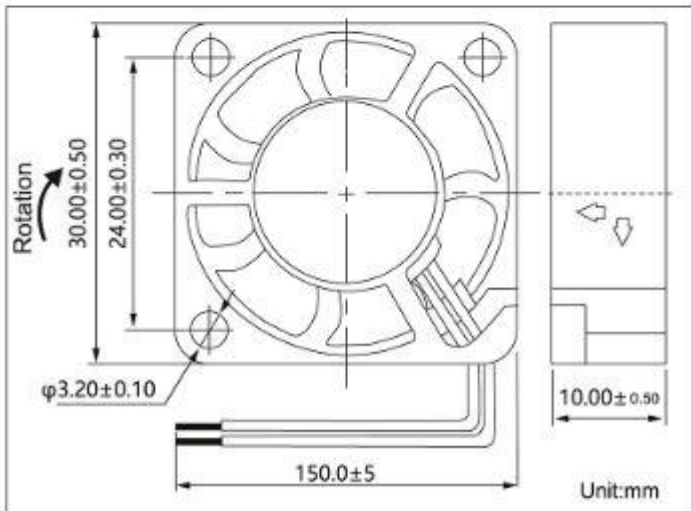
Pigra Comercial Group S.A. de C.V.



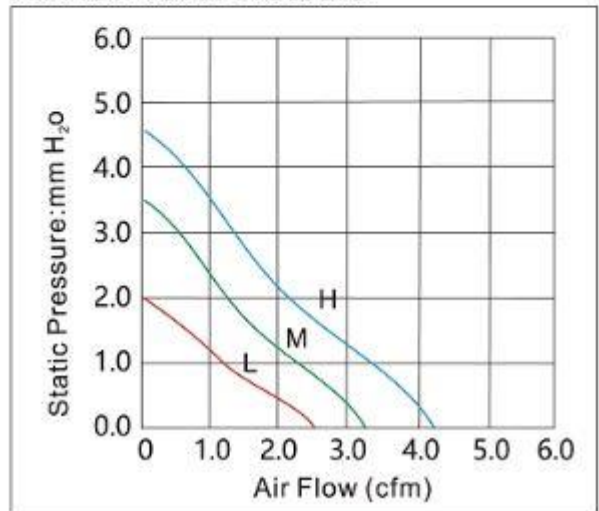
## PIG3010X05L(M)(H) PIG3010X12L(M)(H)

### Features

Size: 30×30×10mm(1.18×1.18×0.39in)  
 Frame/Impeller: Reinforced Plastic UL94V-0  
 Bearings: Ball Bearing&Sleeve Bearing  
 Life Expectancy: 50,000 Hours at 20°C-Ball  
 30,000 Hours at 20°C-Sleeve  
 Approvals: UL CUL TUV CE RoHS  
 Weight: 6g



### Air Flow vs Air Pressure



### Performance

Model	Bearing System X			Rated Voltage (V)	Current (A)	Input Power (W)	Nominal Speed (R.P.M)	Air Flow (CFM)	Air Pressure (mm-H <sub>2</sub> O)	Noise (dBA)
	S	B	D							
PIG3010X05L	✓	✓	✓	5	0.10	0.50	6000	2.46	2.00	18
PIG3010X05M	✓	✓	✓	5	0.12	0.60	8000	3.27	3.57	23
PIG3010X05H	✓	✓	✓	5	0.15	0.75	10000	4.10	4.52	29
PIG3010X12L	✓	✓	✓	12	0.08	0.96	6000	2.46	3.00	18
PIG3010X12M	✓	✓	✓	12	0.10	1.20	8000	3.27	3.57	23
PIG3010X12H	✓	✓	✓	12	0.12	1.44	10000	4.10	4.52	29