



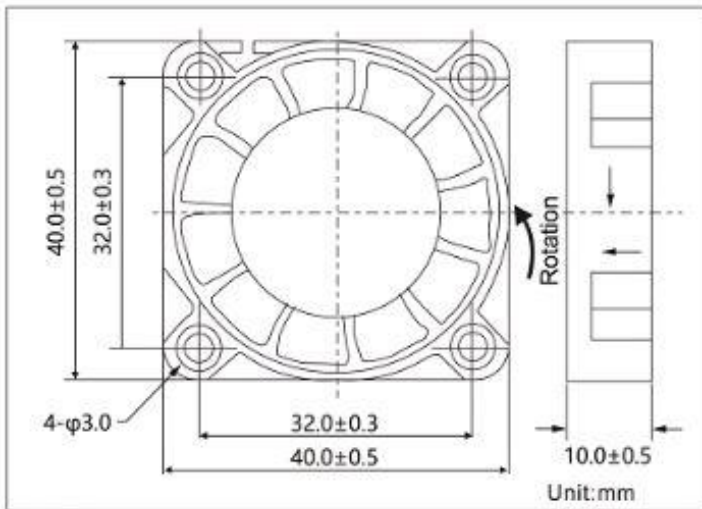
Pigra Comercial Group S.A. de C.V.



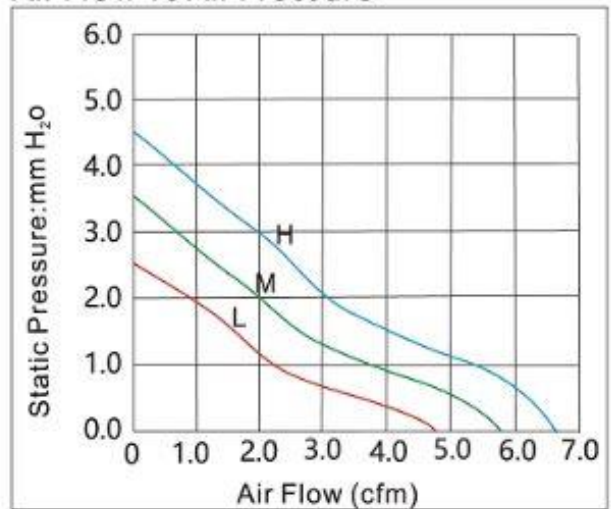
PIG4010X05L(M)(H) PIG4010X12L(M)(H) PIG4010X24L(M)(H)

Features

- Size: 40×40×10mm(1.57×1.57×0.39in)
- Frame/Impeller: Reinforced Plastic UL94V-0
- Bearings: Ball Bearing&Sleeve Bearing
- Life Expectancy: 50,000 Hours at 20°C-Ball
30,000 Hours at 20°C-Sleeve
- Approvals: UL CUL TUV CE RoHS
- Weight: 18g



Air Flow vs Air Pressure



Performance

Model	Bearing System X			Rated Voltage (V)	Current (A)	Input Power (W)	Nominal Speed (R.P.M)	Air Flow (CFM)	Air Pressure (mm-H ₂ O)	Noise (dBA)
	S	B	D							
PIG4010X05L	✓	✓	✓	5	0.13	0.65	5000	4.85	2.52	20
PIG4010X05M	✓	✓	✓	5	0.18	0.90	6000	5.75	3.55	24
PIG4010X05H	✓	✓	✓	5	0.20	1.00	7000	6.66	4.55	28
PIG4010X12L	✓	✓	✓	12	0.05	0.60	5000	4.85	2.52	20
PIG4010X12M	✓	✓	✓	12	0.07	0.84	6000	5.75	3.55	24
PIG4010X12H	✓	✓	✓	12	0.12	1.44	7000	6.66	4.55	28
PIG4010X24L	✓	✓	✓	24	0.04	0.96	5000	4.85	2.52	20
PIG4010X24M	✓	✓	✓	24	0.06	1.44	6000	5.75	3.55	24
PIG4010X24H	✓	✓	✓	24	0.08	1.92	7000	6.66	4.55	28