



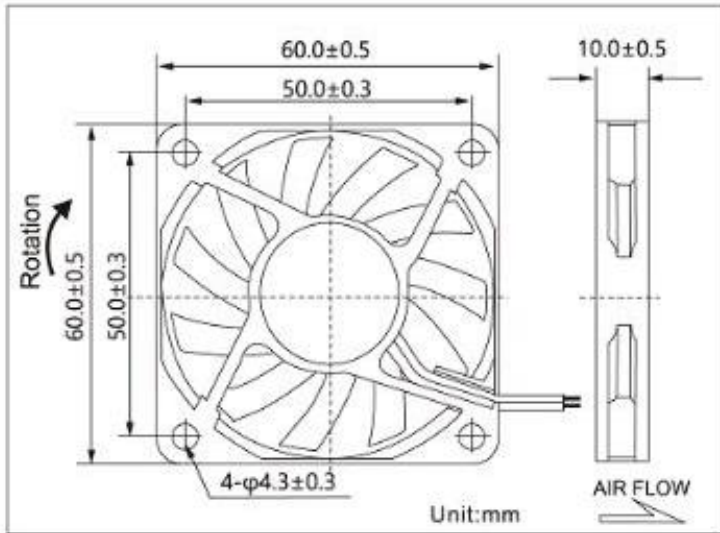
Pigra Comercial Group S.A. de C.V.



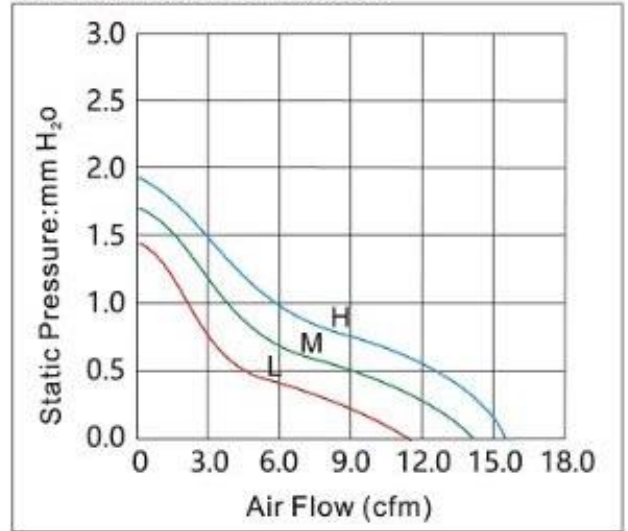
PIG6010X05L(M)(H)
PIG6010X12L(M)(H)
PIG6010X24L(M)(H)

Features

Size: 60×60×10mm(2.36×2.36×0.39in)
 Frame/Impeller: Reinforced Plastic UL94V-0
 Bearings: Ball Bearing&Sleeve Bearing
 Life Expectancy: 50,000 Hours at 20°C-Ball
 30,000 Hours at 20°C-Sleeve
 Approvals: UL CUL TUV CE RoHS
 Weight: 25g



Air Flow vs Air Pressure



Performance

Model	Bearing System X			Rated Voltage (V)	Current (A)	Input Power (W)	Nominal Speed (R.P.M)	Air Flow (CFM)	Air Pressure (mm-H ₂ O)	Noise (dBA)
	S	B	D							
PIG 6010X05L	✓	✓	✓	5	0.15	0.75	3000	11.25	1.46	26
PIG 6010X05M	✓	✓	✓	5	0.20	1.00	3500	13.15	1.72	27
PIG 6010X05H	✓	✓	✓	5	0.25	1.25	4000	15.02	1.92	28
PIG 6010X12L	✓	✓	✓	12	0.08	0.96	3500	13.15	1.72	27
PIG 6010X12M	✓	✓	✓	12	0.12	1.44	4500	16.85	2.15	33
PIG 6010X12H	✓	✓	✓	12	0.18	2.16	5500	20.25	2.55	38
PIG 6010X24L	✓	✓	✓	24	0.08	1.92	3000	11.25	1.46	26
PIG 6010X24M	✓	✓	✓	24	0.10	2.40	3500	13.15	1.72	27
PIG 6010X24H	✓	✓	✓	24	0.12	2.88	4000	15.02	1.92	28