



Pigra Comercial Group S.A. de C.V.



PIG7015X12L(M)(H) PIG7015X24L(M)(H)

Features

Size: 70×70×15mm(2.76×2.76×0.57in)

Frame/Impeller: Reinforced Plastic UL94V-0

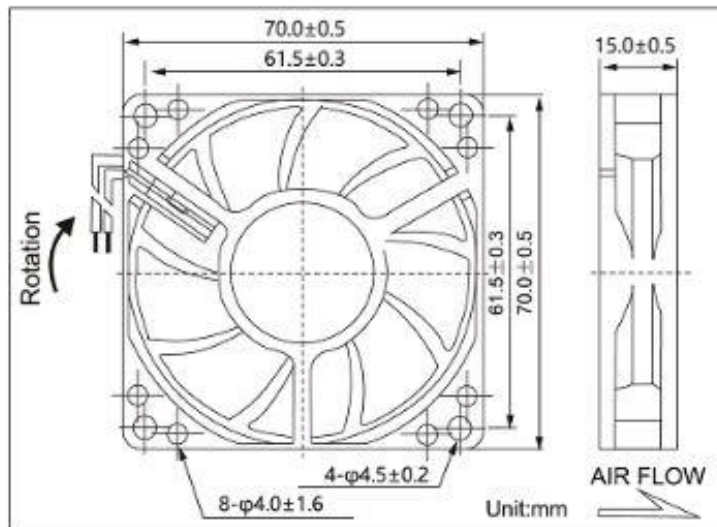
Bearings: Ball Bearing&Sleeve Bearing

Life Expectancy: 50,000 Hours at 20°C-Ball

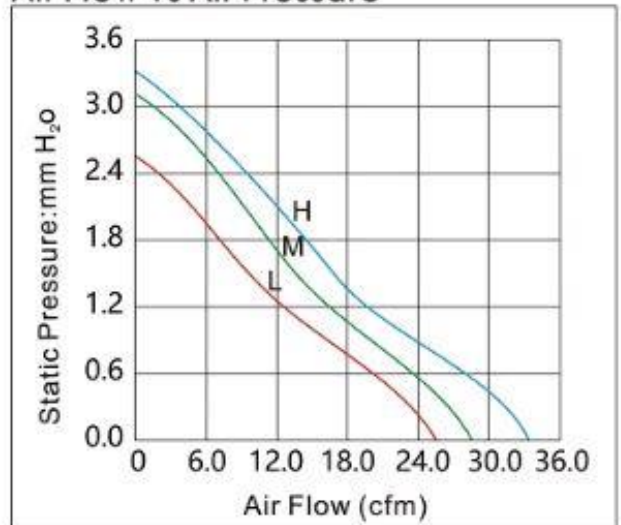
30,000 Hours at 20°C-Sleeve

Approvals: UL CUL TUV CE RoHS

Weight: 45g



Air Flow vs Air Pressure



Performance

Model	Bearing System			Rated Voltage (V)	Current (A)	Input Power (W)	Nominal Speed (R.P.M)	Air Flow (CFM)	Air Pressure (mm-H ₂ O)	Noise (dBA)
	X	S	D							
PIG7015X12L	✓	✓	✓	12	0.15	1.80	3000	24.80	2.50	30
PIG7015X12M	✓	✓	✓	12	0.18	2.16	3500	28.85	3.02	35
PIG7015X12H	✓	✓	✓	12	0.22	2.64	4000	33.52	3.33	40
PIG7015X24L	✓	✓	✓	24	0.08	1.92	3000	24.80	2.50	30
PIG7015X24M	✓	✓	✓	24	0.15	3.60	3500	28.85	3.02	35
PIG7015X24H	✓	✓	✓	24	0.20	4.80	4000	33.52	3.33	40

República del Salvador No. 24 Int. 7, Col. Centro de la Ciudad, Del. Cuauhtémoc México, Ciudad de México, C.P. 06000

R.F.C. PCG080508425

Tel. 55103737

www.pigra.com.mx