



Pigra Comercial Group S.A. de C.V.



PIG8015X12L(M)(H) PIG8015X24L(M)(H)

Features

Size: 80×80×15mm(3.15×3.15×0.57in)

Frame/Impeller: Reinforced Plastic UL94V-0

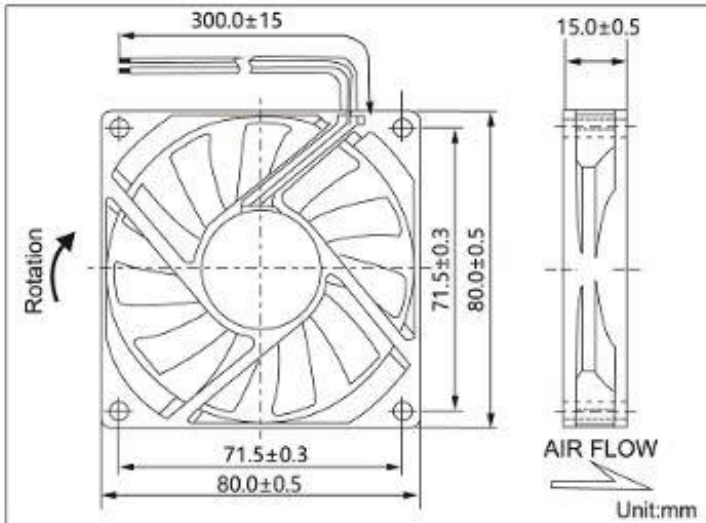
Bearings: Ball Bearing&Sleeve Bearing

Life Expectancy: 50,000 Hours at 20°C-Ball

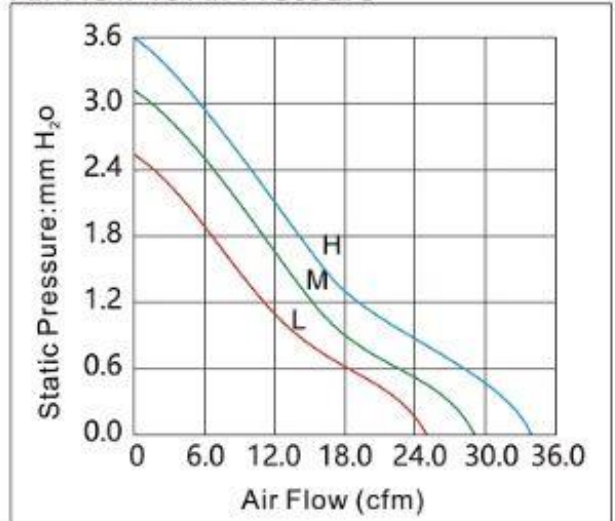
30,000 Hours at 20°C-Sleeve

Approvals: UL CUL TUV CE RoHS

Weight: 45g



Air Flow vs Air Pressure



Performance

Model	Bearing System X			Rated Voltage (V)	Current (A)	Input Power (W)	Nominal Speed (R.P.M)	Air Flow (CFM)	Air Pressure (mm-H ₂ O)	Noise (dBA)
	S	B	D							
PIG8015X12L	✓	✓	✓	12	0.10	1.20	2500	24.30	2.51	25
PIG8015X12M	✓	✓	✓	12	0.15	1.80	3000	28.66	3.02	30
PIG8015X12H	✓	✓	✓	12	0.22	2.64	3500	33.12	3.53	32
PIG8015X24L	✓	✓	✓	24	0.10	2.40	2500	24.30	2.51	25
PIG8015X24M	✓	✓	✓	24	0.12	2.88	3000	28.66	3.02	30
PIG8015X24H	✓	✓	✓	24	0.15	3.60	3500	33.12	3.53	32

República del Salvador No. 24 Int. 7, Col. Centro de la Ciudad, Del. Cuauhtémoc México, Ciudad de México, C.P. 06000

R.F.C. PCG080508425

Tel. 55103737

www.pigra.com.mx