



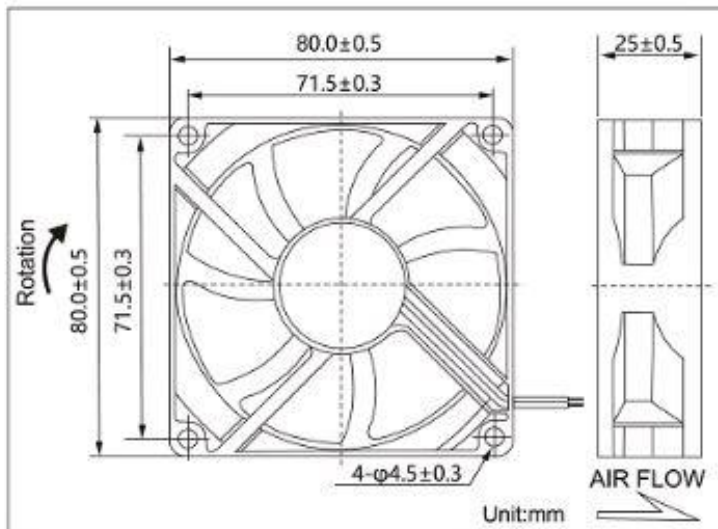
Pigra Comercial Group S.A. de C.V.



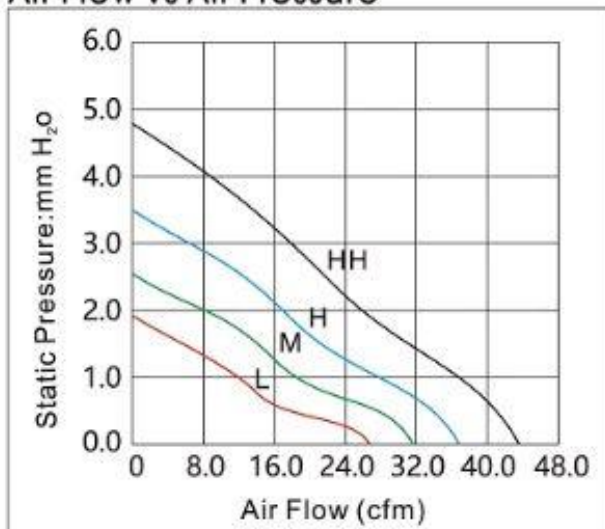
PIG 8025X12L(M)(H) PIG 8025X24L(M)(H)

Features

Size: 80×80×25mm(3.15×3.15×1.00in)
 Frame/Impeller: Reinforced Plastic UL94V-0
 Bearings: Ball Bearing&Sleeve Bearing
 Life Expectancy: 50,000 Hours at 20°C-Ball
 30,000 Hours at 20°C-Sleeve
 Approvals: UL CUL TUV CE RoHS
 Weight: 60g



Air Flow vs Air Pressure



Performance

Model	Bearing System X			Rated Voltage (V)	Current (A)	Input Power (W)	Nominal Speed (R.P.M)	Air Flow (CFM)	Air Pressure (mm-H ₂ O)	Noise (dBA)
	S	B	D							
PIG 8025X12L	✓	✓	✓	12	0.08	0.96	2000	26.80	1.91	23
PIG 8025X12M	✓	✓	✓	12	0.15	1.80	2500	31.50	2.48	27
PIG 8025X12H	✓	✓	✓	12	0.20	2.40	3000	36.50	3.40	32
PIG 8025X12HH	✓	✓	✓	12	0.25	3.00	3500	44.00	4.81	37
PIG 8025X24L	✓	✓	✓	24	0.06	1.44	2000	26.80	1.91	23
PIG 8025X24M	✓	✓	✓	24	0.08	1.92	2500	31.50	2.48	27
PIG 8025X24H	✓	✓	✓	24	0.10	2.40	3000	36.50	3.40	32
PIG 8025X24HH	✓	✓	✓	24	0.12	2.88	3500	44.00	4.81	37
PIG 8025X48M	✓	✓	✓	48	0.07	3.36	3000	36.50	3.40	32
PIG 8025X48H	✓	✓	✓	48	0.15	7.20	3500	44.00	4.81	37