



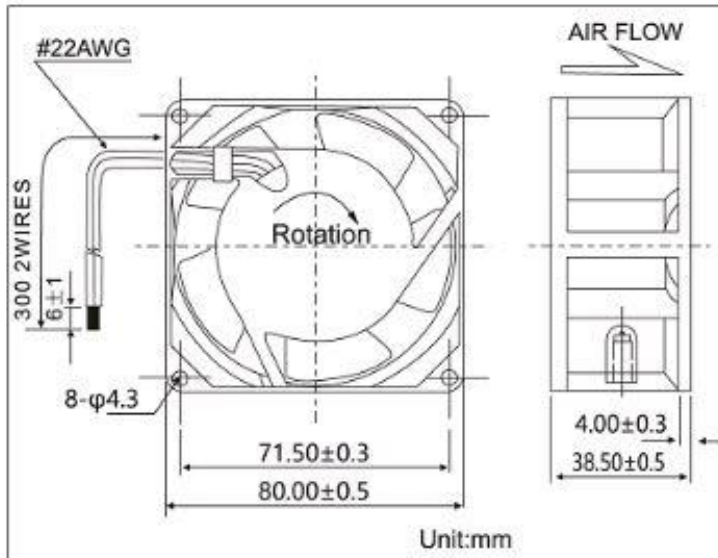
Pigra Comercial Group S.A. de C.V.



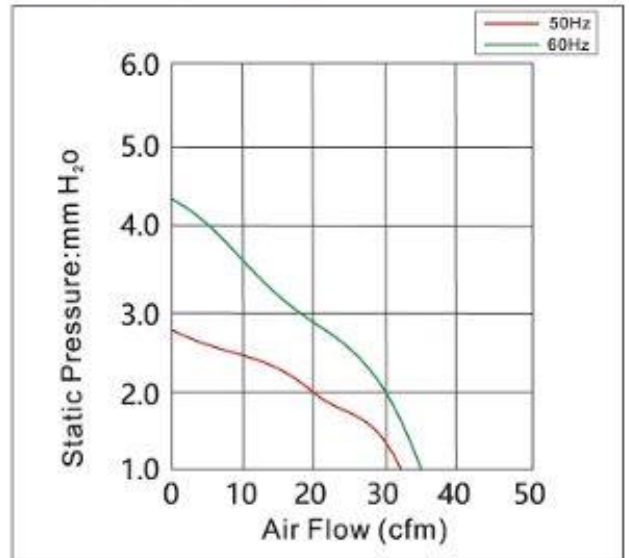
PIG8038HA1 PIG8038HA2

Features

- Size: 80×80×38mm(3.15×3.15×1.5in)
- Frame: Aluminum Painted&Plastic UL94V-0
- Impeller: Reinforced Plastic UL94V-0
- Bearings: Ball Bearing&Sleeve Bearing
- Life Expectancy: 50,000 Hours at 20°C-Ball
30,000 Hours at 20°C-Sleeve
- Approvals: UL CUL CE 3C RoHS
- Weight: 350g



Air Flow vs Air Pressure



Performance

Model	Part Number	Bearing System	Rated Voltage (V)	Operating Frequency (Hz)	Current (A)	Input Power (W)	Nominal Speed (R.P.M)	Air Flow (CFM)	Air Pressure (mm-H ₂ O)	Noise (dBA)
PIG 8038HA1	FSY8038HA1SL(T)	Sleeve or	110/120	50/60	0.12/0.15	11/15	2300/2800	32/35	2.80/4.32	30/35
	FSY8038HA1BL(T)	Ball								
PIG 8038HA2	FSY8038HA2SL(T)	Sleeve or	220/240	50/60	0.10/0.09	14/13	2300/2800	32/35	2.80/4.32	30/35
	FSY8038HA2BL(T)	Ball								