



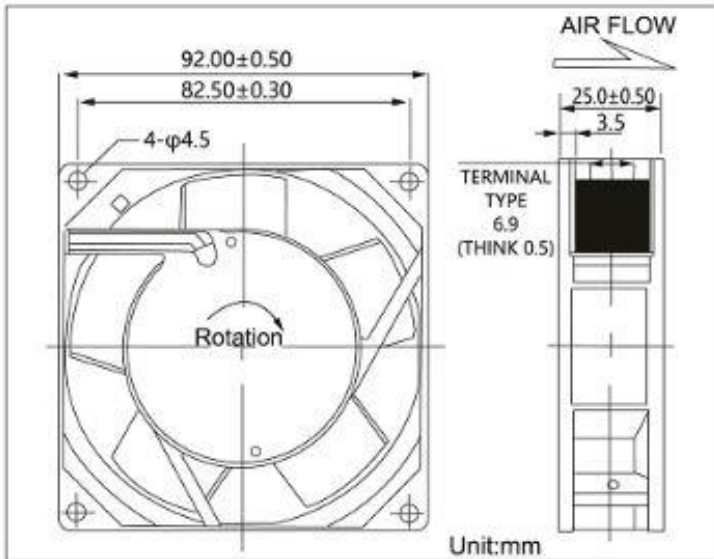
Pigra Comercial Group S.A. de C.V.



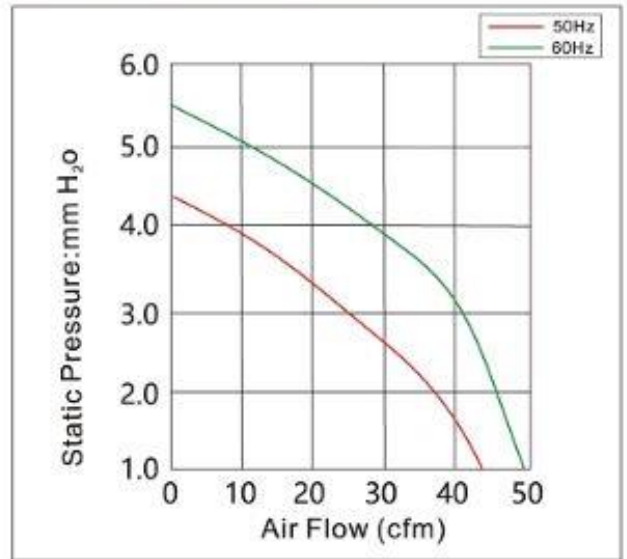
PIG9225HA1 PIG9225HA2

Features

- Size: 92×92×25mm(3.62×3.62×1.0in)
- Frame: Aluminum Painted&Plastic UL94V-0
- Impeller: Reinforced Plastic UL94V-0
- Bearings: Ball Bearing&Sleeve Bearing
- Life Expectancy: 50,000 Hours at 20°C-Ball
30,000 Hours at 20°C-Sleeve
- Approvals: UL CUL CE 3C RoHS
- Weight: 270g



Air Flow vs Air Pressure



Performance

Model	Part Number	Bearing System	Rated Voltage (V)	Operating Frequency (Hz)	Current (A)	Input Power (W)	Nominal Speed (R.P.M)	Air Flow (CFM)	Air Pressure (mm-H ₂ O)	Noise (dBA)
PIG 9225HA1	FSY9225HA1SL(T) FSY9225HA1BL(T)	Sleeve or Ball	110/120	50/60	0.12/0.14	10/15	2300/2850	41/49	4.35/5.50	35/38
PIG 9225HA2	FSY9225HA2SL(T) FSY9225HA2BL(T)	Sleeve or Ball	220/240	50/60	0.06/0.10	11/16	2300/2850	41/49	4.35/5.50	35/38