



Pigra Comercial Group S.A. de C.V.

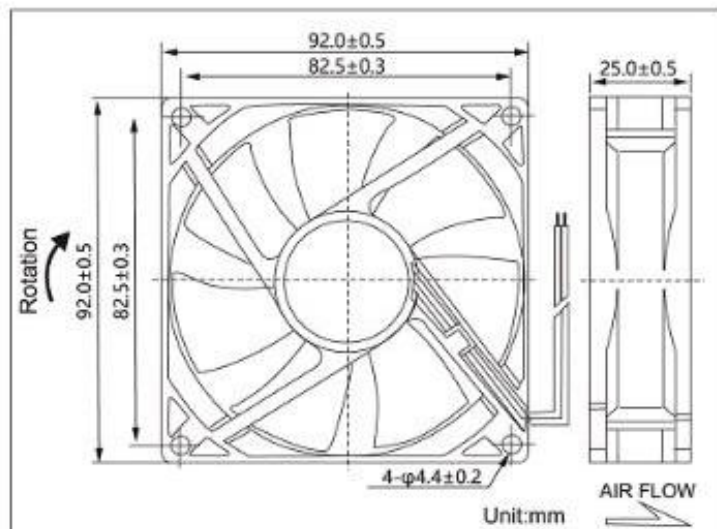


**PIG 9225X12L(M)(H)**

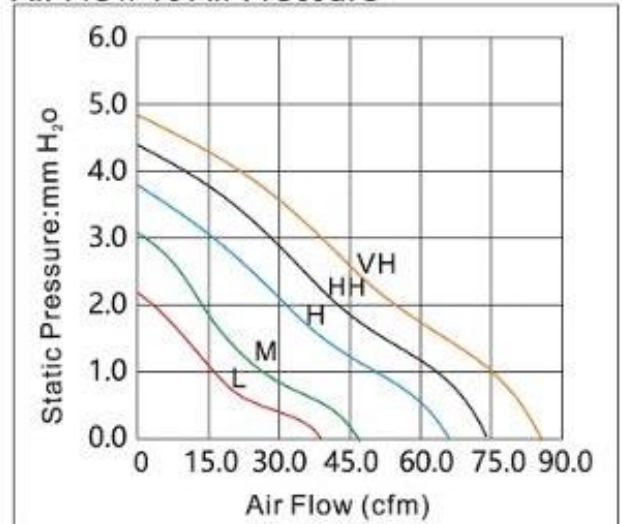
**PIG 9225X24L(M)(H)**

### Features

Size: 92×92×25mm(3.62×3.62×1.00in)  
 Frame/Impeller: Reinforced Plastic UL94V-0  
 Bearings: Ball Bearing&Sleeve Bearing  
 Life Expectancy:50,000 Hours at 20°C-Ball  
 30,000 Hours at 20°C-Sleeve  
 Approvals: UL CUL TUV CE RoHS  
 Weight: 75g



### Air Flow vs Air Pressure



### Performance

Model	Bearing System			Rated Voltage (V)	Current (A)	Input Power (W)	Nominal Speed (R.P.M)	Air Flow (CFM)	Air Pressure (mm-H <sub>2</sub> O)	Noise (dBA)
	X	S	D							
PIG9225X12L	✓	✓	✓	12	0.10	1.20	2000	38.80	2.18	23
PIG9225X12M	✓	✓	✓	12	0.15	1.80	2500	46.30	3.05	30
PIG9225X12H	✓	✓	✓	12	0.25	3.00	3500	65.01	3.83	40
PIG9225X12HH	✓	✓	✓	12	0.35	4.20	4000	74.65	4.30	45
PIG9225X12VH	✓	✓	✓	12	0.50	6.00	4500	85.55	4.81	50
PIG9225X24L	✓	✓	✓	24	0.06	1.44	2000	38.80	2.18	23
PIG9225X24M	✓	✓	✓	24	0.10	2.40	2500	46.30	3.05	30
PIG9225X24H	✓	✓	✓	24	0.20	4.80	3500	65.01	3.83	40
PIG9225X24HH	✓	✓	✓	24	0.25	6.00	4000	74.65	4.30	45
PIG9225X24VH	✓	✓	✓	24	0.30	7.20	4500	85.55	4.81	50
PIG9225X48M	✓	✓	✓	48	0.07	3.36	2500	46.30	3.05	30
PIG9225X48H	✓	✓	✓	48	0.13	6.24	3500	65.01	3.83	40